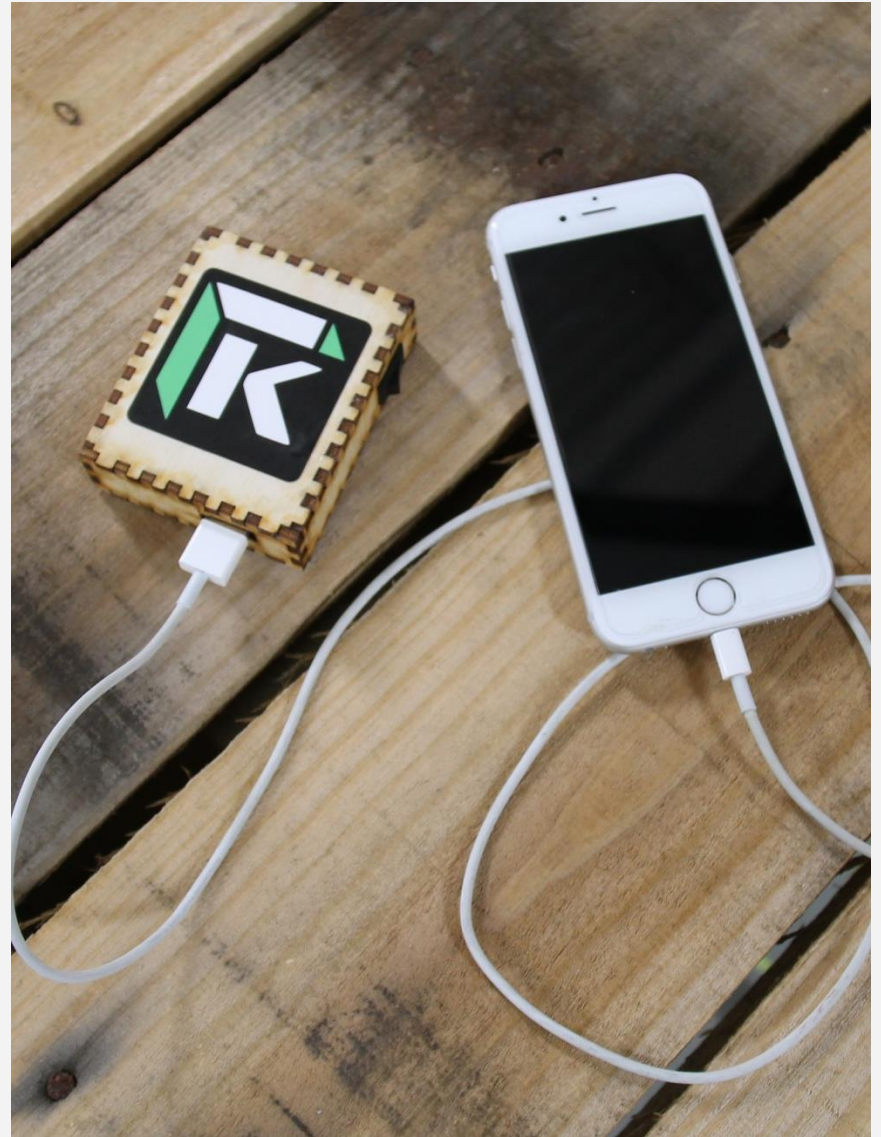


# USB CHARGER

kit instructions

 **KITABLES**



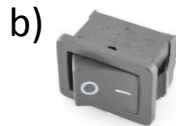
# USB Charger Kit Instructions



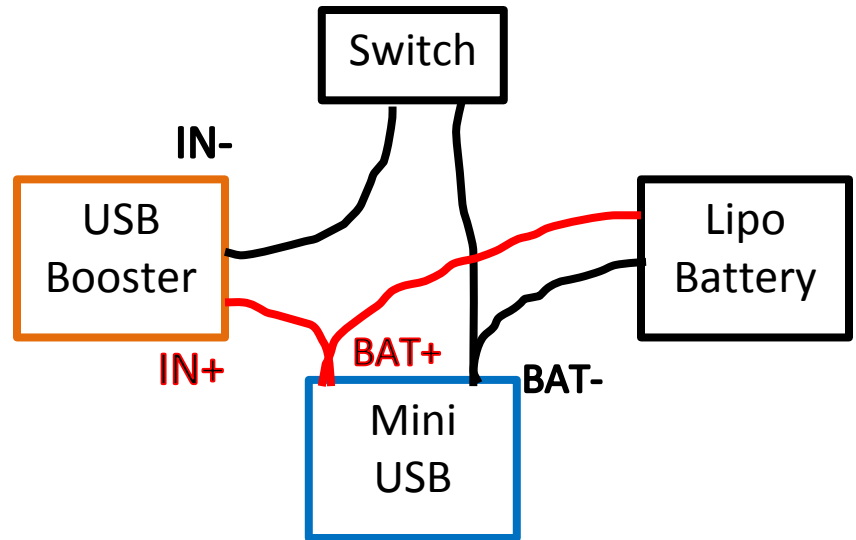
## Kit Includes:

- (a) Laser Cut Box
- (b) Switch
- (c) Lipo Battery
- (d) Charging Module
- (e) USB Booster
- (f) Wires

## Tools Needed:



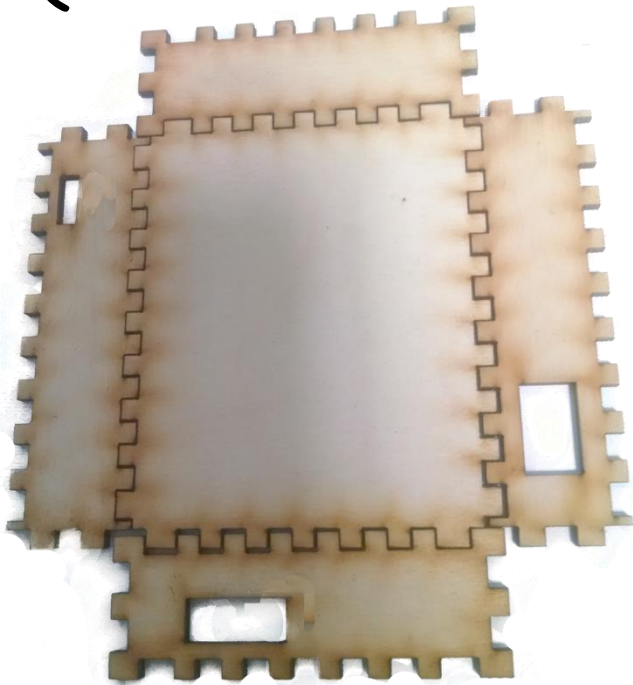
## Wiring Diagram



# USB Charger Kit Instructions



**1** Glue 5 of the 6 box sides together



**2** Solder a set of 2 black wires together and then a set of 2 red wires together



**3** Solder the 3<sup>rd</sup> black wire to a pin on the switch (part b). Slide the switch into cutout on box (from outside) before you finish wiring.

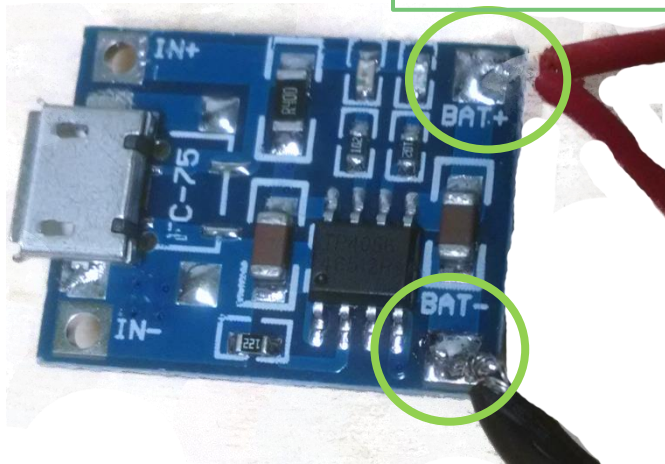


# USB Charger Kit Instructions



4

With the wire sets (from step 2), solder the black wire set to the (BAT-) terminal and red wire set to the (BAT+) terminal on the charging module (part d)



To red battery wire and to USB

To black battery wire and switch

5

Take 1 black wire from charging module and solder it to the black wire on the Lipo battery. **Be sure to slip heat shrink over wire before you twist together.**



6

Take 1 red wire from charging module and solder it to the red wire on the Lipo battery. **Be sure to slip heat shrink over wire before you twist together.**

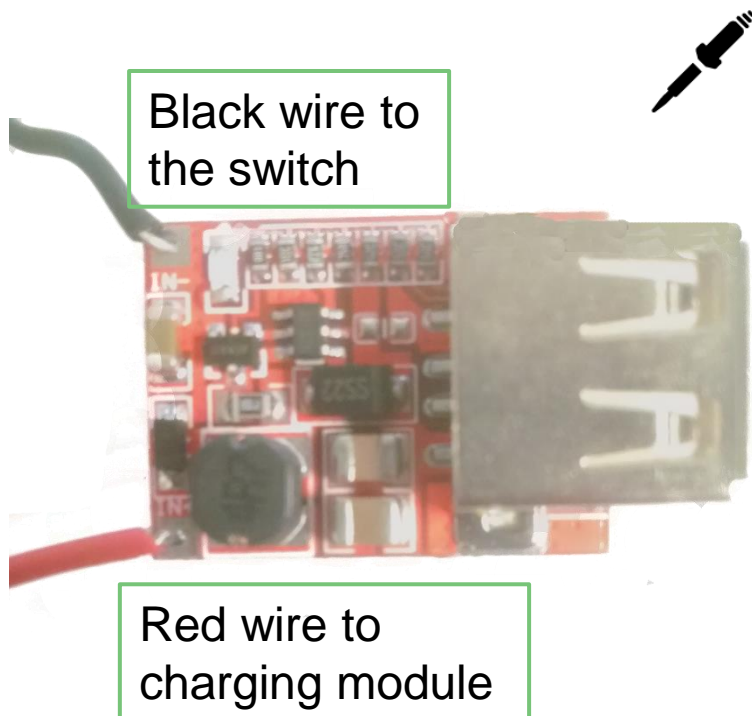


# USB Charger Kit Instructions



7

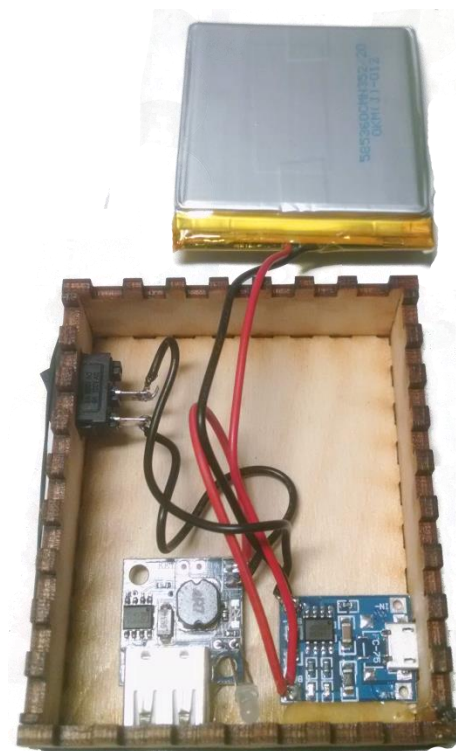
Solder the available black wire from the switch to the (IN-) terminal on the USB booster (part e\*) . Solder the available red from charging module to the (IN+) terminal on the USB Booster.



\*USB booster may be on a red or green board

8

Secure USB modules to the case with hot glue at each relevant cut out. The glue will help insulate wiring and keep your port in place.



# USB Charger Kit Instructions



9

To charge your battery, plug a mini USB cable into the charging module port (the small one). Takes ~2hours to fully charge Lipo from empty.

You have now completed a Kitables Kit! If you have questions, check out our FAQ at [Kitables.co/FAQ](https://Kitables.co/FAQ) or email us at [info@kitables.co](mailto:info@kitables.co)

10

To charge your device, plug your charging into the standard USB port, turn on switch to direct charge from battery to device.

